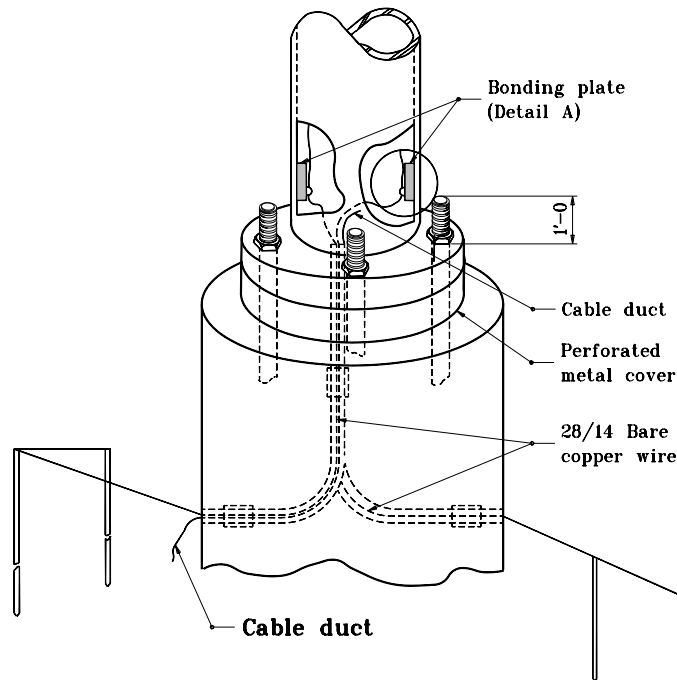
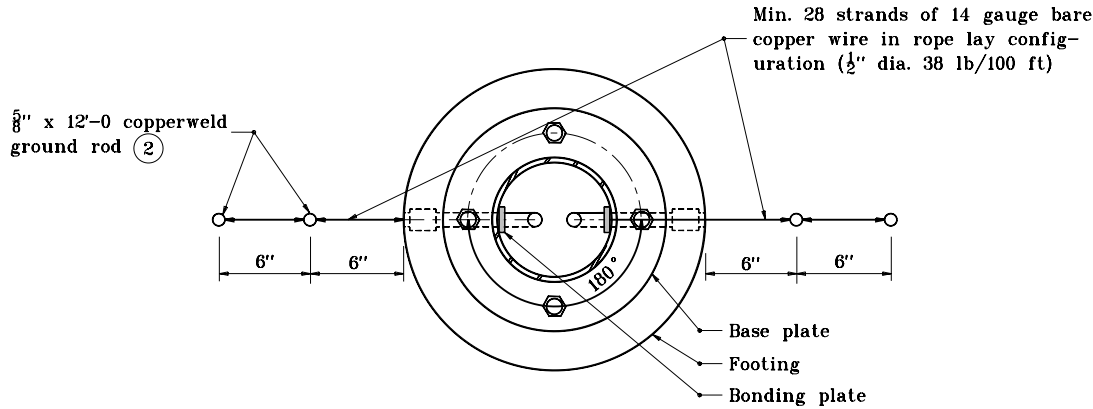


### GENERAL NOTES

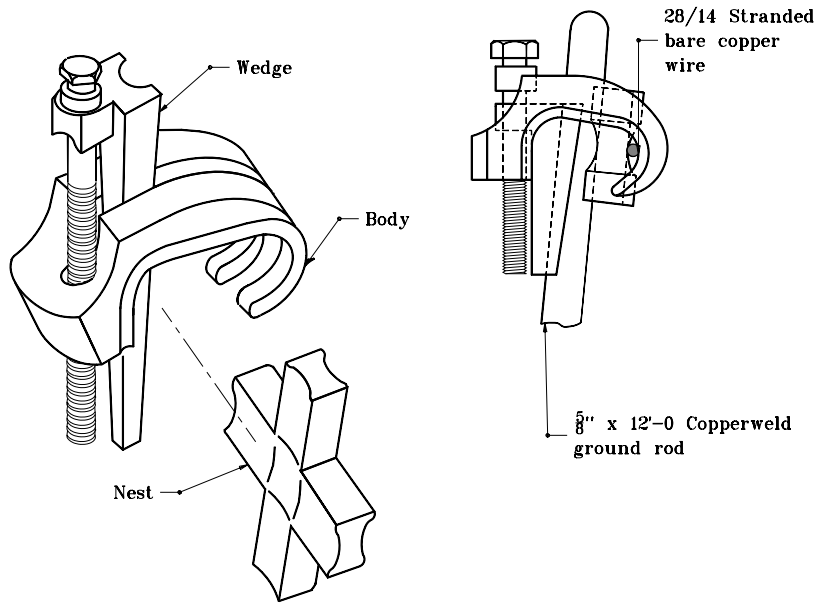
1. Shop drawings shall be submitted on lightning rod and connection details. Drawings are for informational purposes only. Only one lightning rod is required per structure.

② Grounding rod must be located a min. of 6 ft from base at a min. of 2 ft below grade.

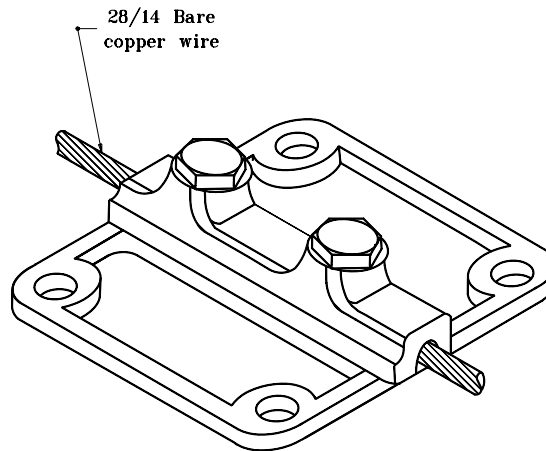
For bonding plate detail, see Standard Drawing No. E 807-LTLR-02.



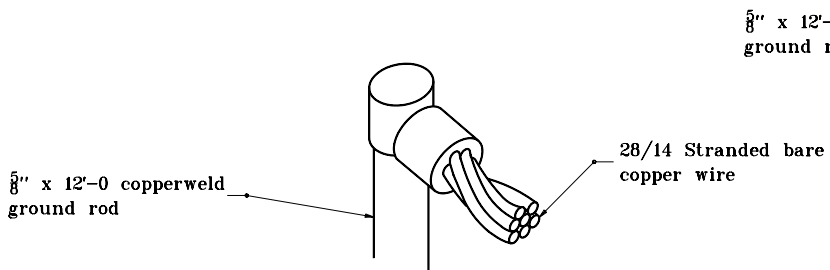
INDIANA DEPARTMENT OF TRANSPORTATION	
<b>LIGHTNING ROD TYPICAL DETAILS</b>	
MARCH 1995	
<b>STANDARD DRAWING NO. E 807-LTLR-01</b>	
	DETAILS PLACED IN THIS FORMAT 7-27-99
	/s/ Anthony L. Uremovich 7-27-99 DESIGN STANDARDS ENGINEER DATE
	/s/ Pirooz Zandi 7-27-99 CHIEF HIGHWAY ENGINEER DATE
DESIGN STANDARDS ENGINEER	ORIGINALLY APPROVED 3-01-95



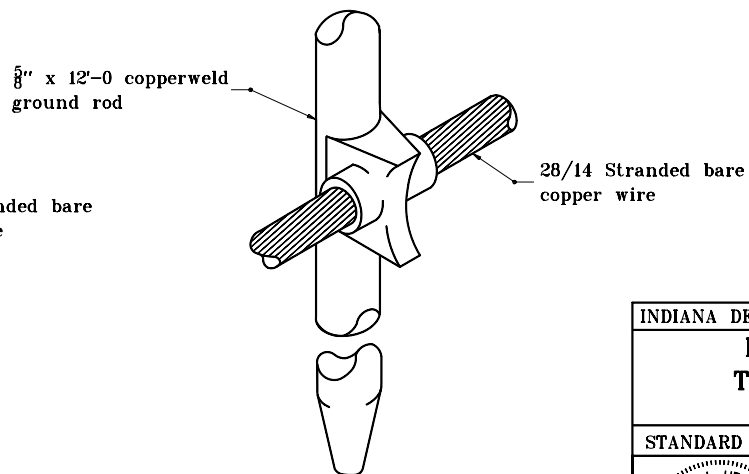
**GROUNDING GRID CONNECTOR**



**BONDING PLATE**  
(DETAIL A)



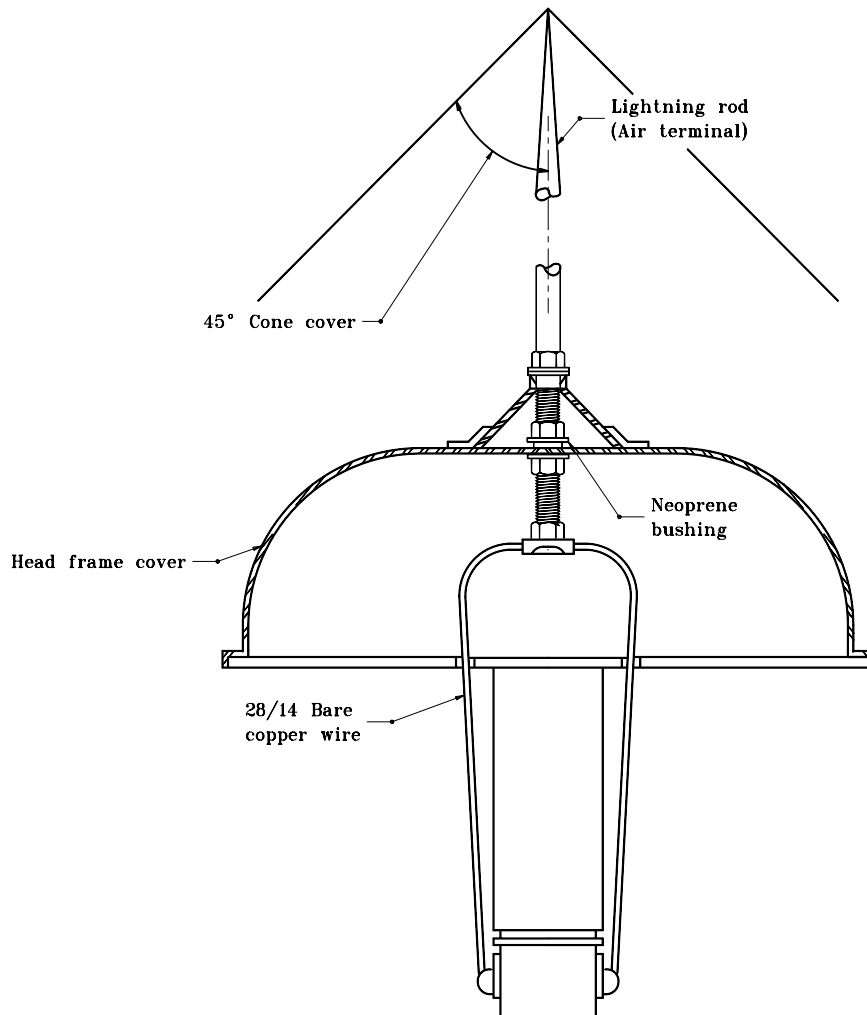
**TOP CONNECTION**



**SIDE CONNECTION**

**THERMOWELD PROCESS**

INDIANA DEPARTMENT OF TRANSPORTATION	
<b>LIGHTNING ROD TYPICAL DETAILS</b>	
MARCH 1995	
<b>STANDARD DRAWING NO. E 807-LTLR-02</b>	
DETAILS PLACED IN THIS FORMAT 11-15-99	
	/s/ Anthony L. Uremovich 11-15-99 DESIGN STANDARDS ENGINEER DATE
	/s/ Firooz Zandi 11-15-99 CHIEF HIGHWAY ENGINEER DATE
	ORIGINALLY APPROVED 3-01-95

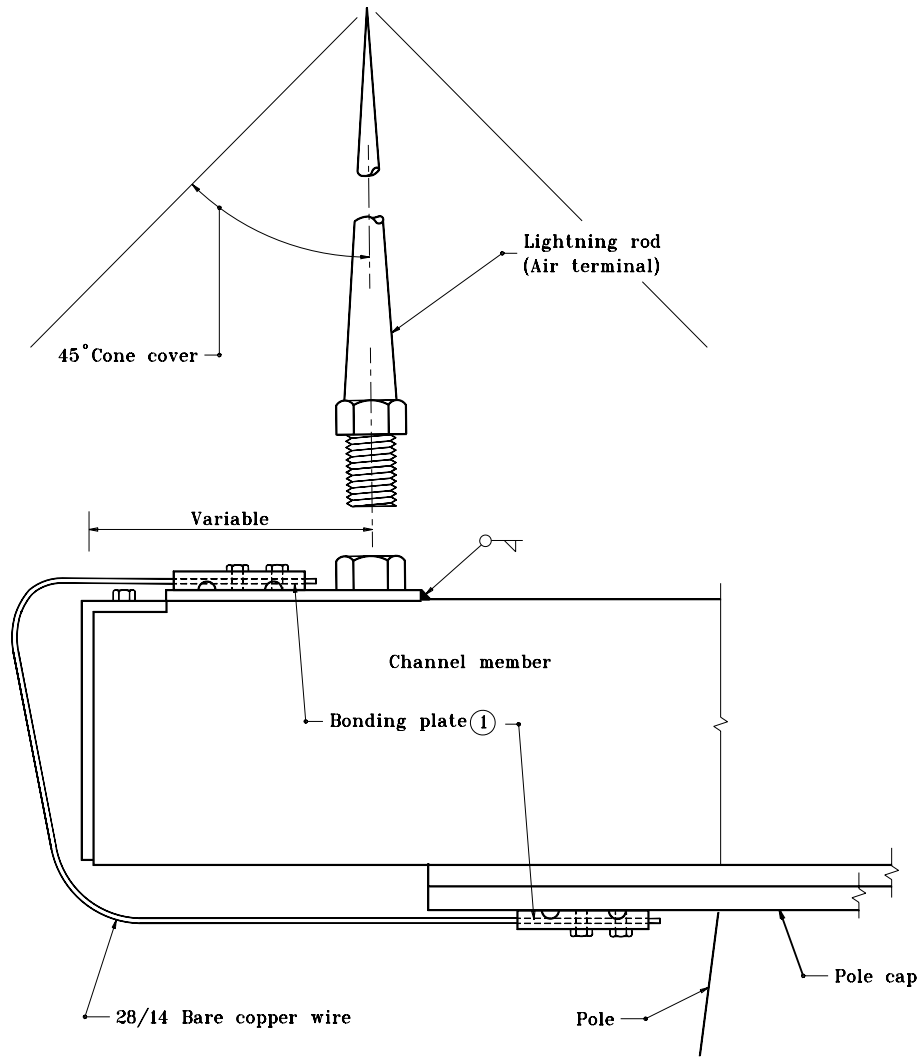


**CENTER HOOD MOUNT**

INDIANA DEPARTMENT OF TRANSPORTATION	
<b>LIGHTNING ROD TYPICAL DETAILS</b>	
MARCH 1995	
<b>STANDARD DRAWING NO. E 807-LTLR-03</b>	
	DETAILS PLACED IN THIS FORMAT 11-15-99 /s/ Anthony L. Uremovich 11-15-99 DESIGN STANDARDS ENGINEER DATE
DESIGN STANDARDS ENGINEER	/s/ Firooz Zandi 11-15-99 CHIEF HIGHWAY ENGINEER DATE ORIGINALLY APPROVED 3-01-95

NOTES

- ① See Standard Drawing E 807-LTLR-02 for Detail A.



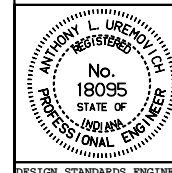
**CHANNEL MOUNT**

INDIANA DEPARTMENT OF TRANSPORTATION

**LIGHTNING ROD  
TYPICAL DETAILS**

MARCH 1995

STANDARD DRAWING NO. **E 807-LTLR-04**



DETAILS PLACED IN THIS FORMAT 11-15-99

/s/ Anthony L. Uremovich 11-15-99  
DESIGN STANDARDS ENGINEER DATE

/s/ Firooz Zandi 11-15-99  
CHIEF HIGHWAY ENGINEER DATE

DESIGN STANDARDS ENGINEER

ORIGINALLY APPROVED 3-01-95